

MOULDED CASE CIRCUIT BREAKERS (MCCB) DW1 series



The DW1 series is an intelligent type circuit breaker used to control and protect low voltage electrical distribution network. Possibility to set the parameters of the circuit protection, built in under voltage release, remote control, earth protection and load monitoring.

Functions:

- switching on/off heavy loaded electrical circuits
- breaking of electrical circuits and control of powerful consumers
- used as a main breaker in housing or industrial distributing installations
- endures high currents of short circuit in the protected circuit
- remarkable with high reliability of current characteristics
- motor control
- mounted auxiliary devices for automation - under voltage release, earth protection, intelligent controlling block with a possibility for a choice of the protected

Technical data:	
Rated operating voltage:	690V; 50/60Hz
Isolating voltage:	690V
Surge voltage wear resistance:	2kV
Joining terminal:	bolt connection with 4 bolts to the power supply rail
Connecting:	<ul style="list-style-type: none">▪ copper rails▪ busway connection – at the back
Electrical wear resistance (number of cycles):	≥2000
Mechanical wear resistance (number of cycles):	≥9000
IP code:	IP>20
Plastic material of UV rays and non- flammable	
Test button	
Residual indicating push button	
Ambient temperature:	-10°÷65°C
Installation altitude:	up to 2000m

Mounting:

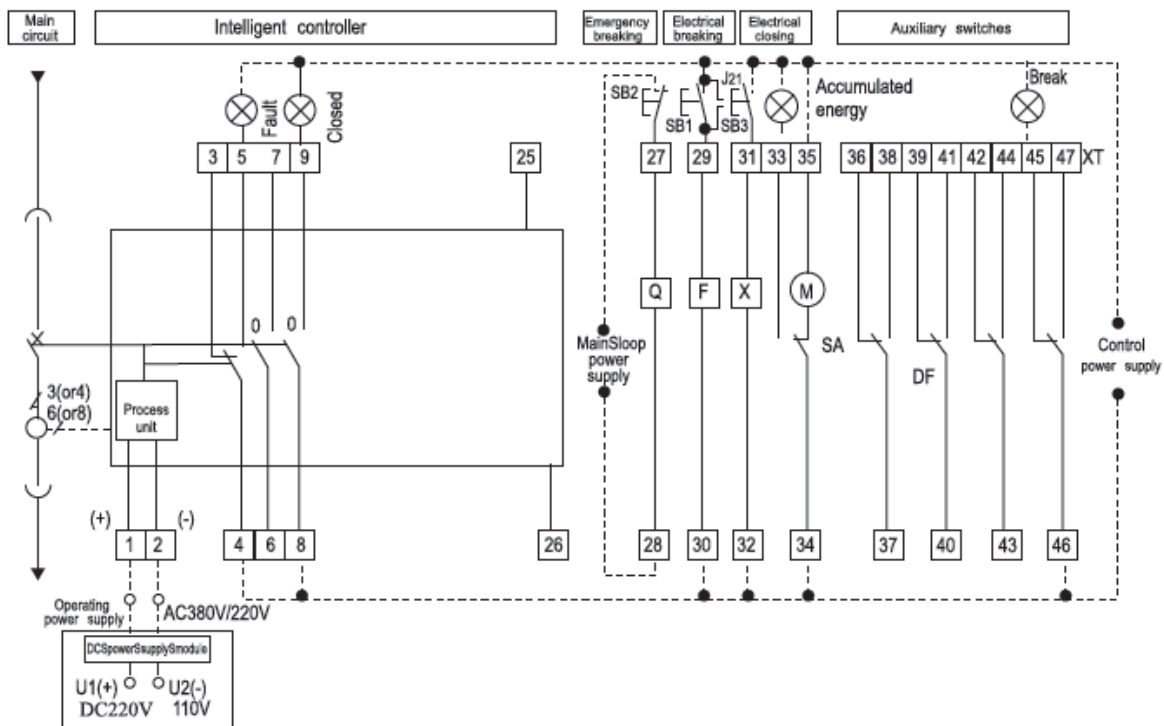
- clamping with bolts
- mounting position: vertical gradient – maximum 5°

Basic Protective Functions:

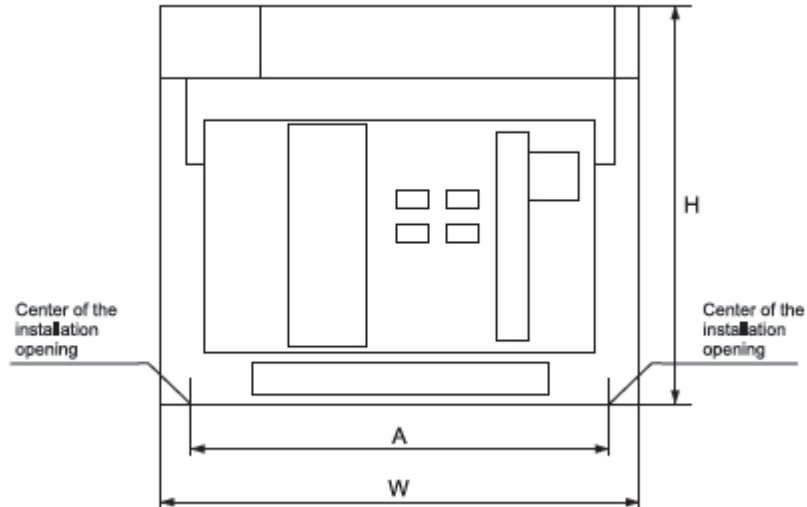
- Overload protection with long time delay
- Short circuit protection with short time delay, time inversion limit
- Short circuit protection with short time delay, time fixed limit
- Instantaneous short circuit protection
- Earth protection function
- Full stability function
- "Overload alarm" function
- Test function
- Auto diagnostics function

A commutation type of breakers with RS 485 connection for duplex transmission of all function parameters, adjustment and data can also be produced at client's order and delivery terms agreement.

Scheme:



Dimensions:



Dimensions
(mm)

Type	A	H	W
DW1-2000 FIXED	362	402	373
DW1-3200 FIXED	422	402	363
DW1-2000 DRAW-OUT	375	432	461
DW1-3200 DRAW-OUT	435	432	494
DW1-4000 DRAW-OUT	550	432	494
DW1-6300 DRAW-OUT	813	452	504

Basic data:

Type	Rated current In (A)	Rated voltage Un (V)	Breaking capacity (kA)		Packing/ Box (pcs)	Catalogue number
			400V	690V		
DW1-2000 FIXED	1600	AC400V	80	50	1/1	44208
DW1-2000 FIXED	2000	AC400V	80	50	1/1	44209
DW1-3200 FIXED	2500	AC400V	100	65	1/1	44255
DW1-3200 FIXED	3200	AC400V	100	65	1/1	44239
DW1-2000 DRAW-OUT	1600	AC400V	80	50	1/1	44208DO
DW1-2000 DRAW-OUT	2000	AC400V	80	50	1/1	44209DO
DW1-3200 DRAW-OUT	2500	AC400V	100	65	1/1	44255DO
DW1-4000 DRAW-OUT	3600	AC400V	100	75	1/1	44436DO
DW1-4000 DRAW-OUT	4000	AC400V	100	75	1/1	44440DO
DW1-6300 DRAW-OUT	5000	AC400V	120	75	1/1	44650DO
DW1-6300 DRAW-OUT	6300	AC400V	120	75	1/1	44630DO

Standards:

- EN 60947-1
- EN 60947-2
- IEC 947-2

